



AVK CONCENTRIC BUTTERFLY VALVE, UL/FM, 300 PSI/21 BAR **815/40-001**
IPS sized grooved ends, worm gear w. handwheel, remote supervision, DN 65-200 (2½" - 8")

AVK series 815 butterfly valves are designed acc. to UL/FM for use in fire protection systems. The ductile iron disc is completely enclosed in EPDM rubber and concentrically located in the valve housing. A wormgearbox with handwheel and both local and remote position indication provides the necessary operation torque. All exterior surfaces are protected with fusion bonded epoxy.

Product description:

Concentric butterfly valve with grooved ends and worm gear/handwheel for fire protection applications to max. 70°C/160°F

Standards:

- Designed according to FM class no. 1112, Designed according to UL 1091
- Grooved ends to ANSI/AWWA C606, IPS-size

Test/Approvals:

- Hydraulic tests according to FM and UL Standards
- FM Approved, UL listed

Features:

- Body and disc in ductile cast iron
- Disc completely encapsulated in drinking water approved EPDM rubber
- Stainless steel shaft with O-ring shaft seal
- Fusion bonded epoxy coating
- Worm gear for low operation torque
- Quick operation - fully closed to fully open in only 10 handwheel turns
- Local mechanical position indicator
- Remote electrical position indicator with two separate micro switches
- UL/ULC listed and FM approved for use in fire protection system



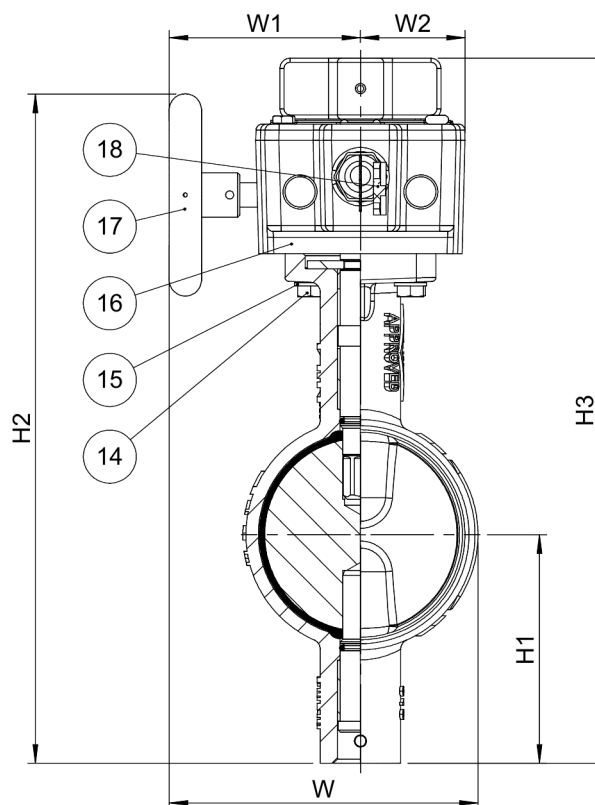
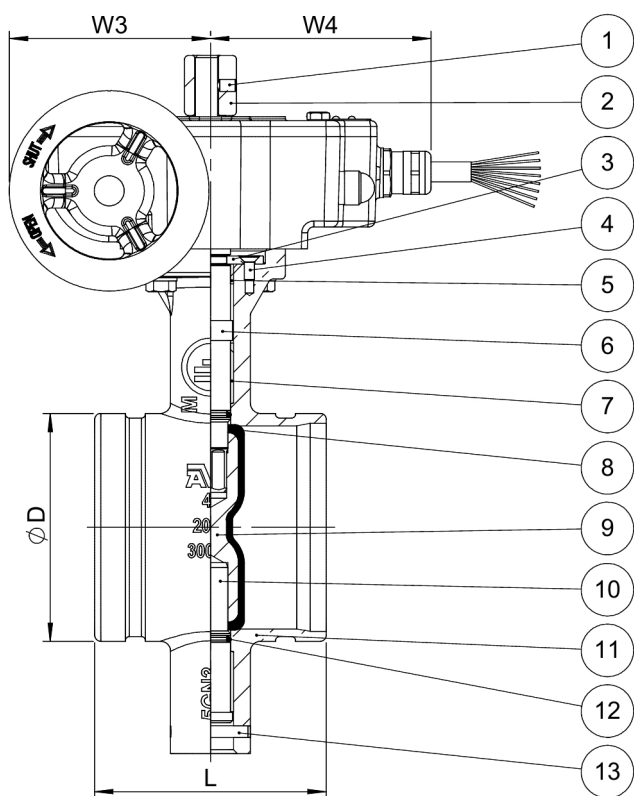
Expect ... **AVR**

The designs, materials and specifications shown are subject to change without notice due to the continuous development of our product range.

AVK CONCENTRIC BUTTERFLY VALVE, UL/FM, 300 PSI/21 BAR

815/40-001

IPS sized grooved ends, worm gear w. handwheel, remote supervision, DN 65-200 (2½" - 8")



Component list:

1. Bolt	Stainless steel A2	10. Shaft, stub	Stainless steel 1.4057
2. Position indicator	Grey iron	11. Body	Ductile iron GJS-500-7 (GGG-50)
3. Plate	Steel, zinc plated	12. O-ring	NBR rubber
4. Bolt	Stainless steel A2	13. Pin	Stainless steel A2
5. Bearing, radial	Bronze / PTFE composite	14. Bolt	Stainless steel A2
6. Shaft, drive	Stainless steel 1.4057	15. Washer	Stainless steel A2
7. Bearing, radial	Bronze / PTFE composite	16. Gearbox	
8. Disc rubber	EPDM rubber	17. Handwheel	Ductile iron GJS-500-7 (GGG-50)
9. Disc	Ductile iron GJS-500-7 (GGG-50)	18. Key	Aluminium

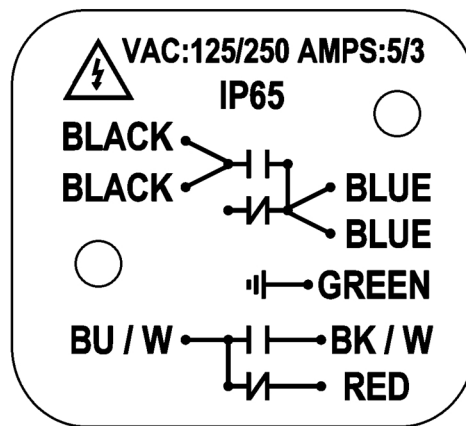
Components may be substituted with equivalent or higher class materials without prior notification.

Reference nos. and dimensions:

AVK ref. no.	DN Inch	DN mm	D mm	L mm	H1 mm	H2 mm	H3 mm	W mm	W1 mm	W2 mm	W3 mm	W4 mm	Theoretical weight / kg
815-0065-40-49AB10	2,5"	65	73	98	80	238	283	105	67	40	71	82	4.5
815-0076-40-49AB10 (1)	2,5"	65	76	98	80	238	283	106	67	40	71	82	4.7
815-0080-40-49AB10	3"	80	89	98	85	250	291	113	67	40	71	82	5.0
815-0100-40-49AB10	4"	100	114	116	113	331	349	153	95	52	101	111	9.0
815-0125-40-49AB10	5"	125	141	148	130	366	384	168	95	52	101	111	11
815-0139-40-49AB10 (1)	5"	125	140	148	130	366	385	167	95	52	101	111	11
815-0150-40-49AB10	6"	150	168	148	145	384	412	182	95	52	101	111	13
815-0200-40-49AB10	8"	200	219	134	164	483	474	236	125	66	140	119	20

(1) Grooves not to IPS

The designs, materials and specifications shown are subject to change without notice due to the continuous development of our product range.



Wire Arrangement

	Wire	Color	Mode
Switch 1	A	Black	N/O
	B	Black	N/O
	C	Blue	Com.
	D	Blue	Com.
Switch 2	E	Blue & White	Com.
	F	Black & White	N/O
	H	Red	N/C
Ground Wire	G	Green	-----