



AVK GATE VALVE, FLANGED, PN10/16

06/35-013

VdS approved, EN 558-2 S.14/DIN F4, position indicator and handwheel, DN50-400

AVK gate valves are designed with built-in safety in every detail. The wedge is fully vulcanized with AVK's own drinking water approved EPDM rubber compound. It features an outstanding durability due to the ability of the rubber to regain its original shape, the double bonding vulcanization process and the sturdy wedge design. The triple safety stem sealing system, the high strength stem and the thorough corrosion protection safeguard the unmatched reliability.

Product description:

Flanged gate valve EN 558-2 S.14/DIN F4, with position indicator. For fire protection applications to max. 70° C

Standards:

- Designed according to EN 1074 part 1 & 2, Designed according to EN 1171
- Face to face according to EN 558 Table 2 Basic Series 14
- Standard flange drilling to EN1092-2 (ISO 7005-2), PN 10/16

Test/Approvals:

- Hydraulic test according to EN 1074-1 and 2 / EN 12266
- Seat: 1.1 x PN (in bar), Body: 1.5 x PN (in bar). Operation torque test
- Approved according to VdS Certificate No. G 4960035

Features:

- Fixed integral wedge nut prevents vibration and ensures durability
- Wedge fully vulcanized with EPDM rubber and equipped with wedge shoes to provide smooth operation
- Wedge and body guide rails ensure stable operation
- Stainless steel stem with wedge stop and rolled threads for high strength
- Full circle thrust collar provides fixation of the stem and low free running torques
- Triple safety stem sealing with an NBR wiper ring, a polyamide bearing with four NBR O-rings and an EPDM rubber manchette
- Round EPDM bonnet gasket fixed in a recess
- Countersunk and sealed bonnet bolts encircled by the bonnet gasket
- Full bore
- Low operating torque
- Fusion bonded epoxy coating, red RAL 3000 to DIN 30677-2 and AVK guidelines
- Position indicator on the stem for visual or remote read-out of the valve position

Accessories:

Mounting kit for limit switch, limit switch, flange adaptor and combi-flange

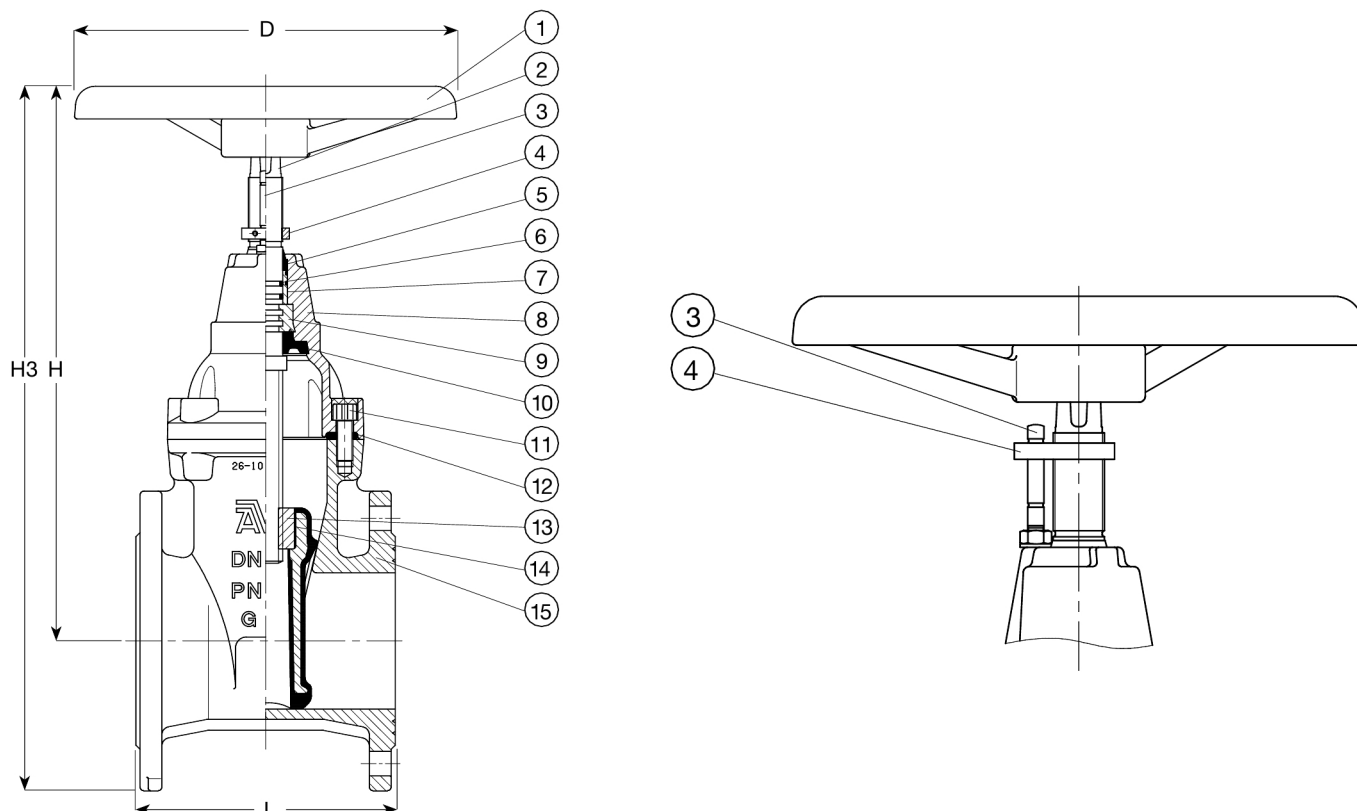


Expect ... **AVK**

AVK GATE VALVE, FLANGED, PN10/16

06/35-013

VdS approved, EN 558-2 S.14/DIN F4, position indicator and handwheel, DN50-400



Component list:

1. Handwheel	Cast iron GJL-250 (GG-25)	9. Thrust collar	Brass, DZR CW602N
2. Stem	Stainless steel 1.4104 (430F)	10. Manchette	EPDM rubber
3. Pin	Stainless steel	11. Bonnet bolt	Stainless steel A2
4. Indicator nut	Brass, DZR	12. Bonnet gasket	EPDM rubber
5. Wiper ring	NBR rubber	13. Wedge nut	Brass, DZR CW626N
6. O-ring	NBR rubber	14. Wedge	Ductile iron, EPDM encapsulated
7. Bearing	Polyamide	15. Body	Ductile iron GJS-500-7 (GGG-50)
8. Bonnet	Ductile iron GJS-500-7 (GGG-50)		

Components may be substituted with equivalent or higher class materials without prior notification.

Reference nos. and dimensions:

AVK ref. no.	DN mm	Flange drilling	L mm	D mm	H mm	H3 mm	Theoretical weight / kg
06-050-35-01420	50	PN10/16	150	180	329	412	13
06-065-35-01420	65	PN10/16	170	225	355	448	16
06-080-35-01420	80	PN10/16	180	225	382	482	20
06-100-35-01420	100	PN10/16	190	280	414	524	27
06-125-35-01420	125	PN10/16	200	320	461	501	36
06-150-35-01420	150	PN10/16	210	320	540	683	50
06-200-35-00620	200	PN10	230	360	688	858	71
06-200-35-01620	200	PN16	230	360	688	858	71
06-250-35-00620 (1)	250	PN10	250	500	780	980	108
06-250-35-01620 (1)	250	PN16	250	500	780	980	108
06-300-35-00620 (1)	300	PN10	270	500	855	1083	116
06-300-35-01620 (1)	300	PN16	270	500	855	1083	116
06-350-35-00620 (1)	350	PN10	290	640	930	1190	203
06-350-35-01620 (1)	350	PN16	290	640	930	1190	203
06-400-35-00620 (1)	400	PN10	310	640	940	1248	240
06-400-35-01620 (1)	400	PN16	310	640	960	1248	240

(1) Not approved to VdS

The designs, materials and specifications shown are subject to change without notice due to the continuous development of our product programme.